



RS 280 MULTI-STACKER

OPERATING AND MAINTENANCE MANUAL



FOR YOUR NEAREST DEALER AND
FURTHER INFORMATION CONTACT

New Zealand
REESE ENGINEERING LTD,
PALMERSTON NORTH, NEW
ZEALAND.
Tel: 06 357 9323
Fax: 06 354 3155
email: reese@xtra.co.nz
Website: www.reese.co.nz

Australia
REESE ENGINEERING LTD,
GEELONG, VICTORIA,
AUSTRALIA
FREEPHONE 1-800-140-196
FREEFAX 1-800-140-195
email: reese@xtra.co.nz
Website: www.reese.co.nz

USA
REESE AGRI-USA,
BRAYMER, MISSOURI,
USA.
Tel: 0800 717 3373
Fax: (660) 645 2214
email: reese@xtra.co.nz
Website: www.reese.co.nz

WARNING

THE OPERATION AND ADJUSTMENT OF THE REESE MACHINE REQUIRES A COMPLETE KNOWLEDGE OF THE CONTENTS OF THIS HANDBOOK. TO AVOID PERSONAL INJURY PLEASE ENSURE THAT ALL PERSONNEL ARE THOROUGHLY CONVERSANT WITH ALL DETAILS BEFORE COMMENCEMENT OF OPERATION OR MAINTENANCE.

WARRANTY

COMPLETE AND RETURN WARRANTY REGISTRATION TO ENSURE VALIDATION.

IN THE USA RETURN TO: REESE AGRI – USA, PO BOX 128 BRAYMER, MO 64624
IN AUSTRALIA AND NZ RETURN TO: REESE ENGINEERING LTD, PO BOX 5056, PALMERSTON NORTH, NEW ZEALAND

REESE warrants that the Machine delivered shall conform to the specifications set out in this Handbook.

REESE makes no warranty of saleability or fitness for a particular use, nor is there any other expressed or implied warranty.

Subject to such other conditions, warranties, and/or undertakings which may apply from time to time under any applicable law, REESE warrants with respect to each new REESE Machine sold by its accredited agents, that for a period of twelve months from the date of original retail sale, REESE will repair or replace free of charge any part found to be defective in factory materials or workmanship under normal use and operation within the United States of America, Canada, Australia and New Zealand provided that;

1. The Machine

- a. Has been properly assembled and adjusted.
- b. Has been properly used and operated within the capacity and operating limitations specified by the manufacturer thereof, and
- c. Has been properly maintained and cared for.

2. This Warranty applies to a direct purchase from an authorised REESE dealer. If any defect or fault shall arise, such a purchaser must return the defective work or Machine to an authorised REESE Dealer within ten working days of such defect or fault arising.
3. In the event of the purchaser attempting to repair or replace the work or product without prior written consent of an authorised REESE Distributor this guarantee shall become void. REESE may replace or repair any damaged product or work at its discretion.
4. In respect of such Machine this warranty does not apply to
 - a. Misuse or carelessness in handling.
 - b. Non-compliance of REESE's operating and maintenance instruction.
 - c. Unauthorised repairs or alterations,
 - d. Consequential damage resulting from misuse or initial faults,
 - e. Parts subjected to wear or damage as a result of normal use (i.e. hydraulic components, tines)
5. Any disputes in relation to this contract or product shall be governed by New Zealand law and shall be determined in New Zealand courts.


INTRODUCTION

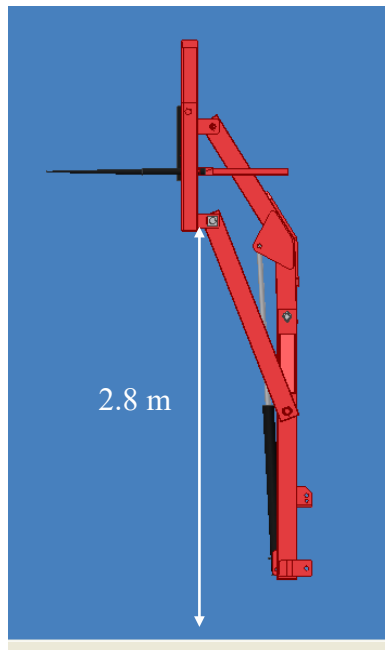
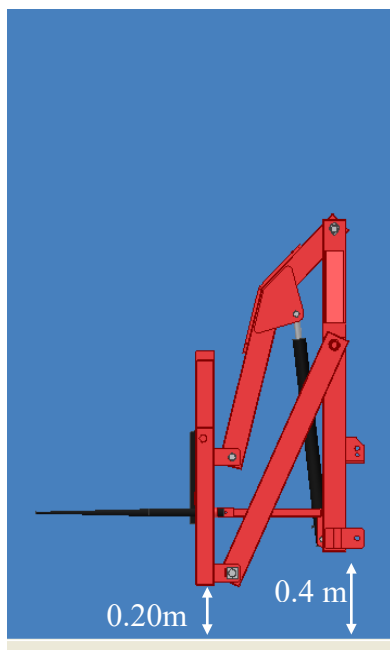
The Reese Multi-Stacker (RS280) is a purpose designed 3pt linkage machine built by Reese Agri for shifting and stacking. It can stack up to 3 bales high and can carry up to 1 tonne. Bale spikes come standard with the Multi-Stacker along with optional brackets so it can lift the Reese Bale Handler (RS2200).

The Reese Multi-Stacker is built with a heavy construction and quality parts to ensure long term reliability. To ensure correct operation, please read the instructions contained in this document carefully BEFORE attempting to use the Multi-Stacker, and refer to the assembly drawings for details on assembly and replacement parts.

All Reese Multi-Stackers are assembled and tested before delivery.

TECHNICAL SPECIFICATIONS

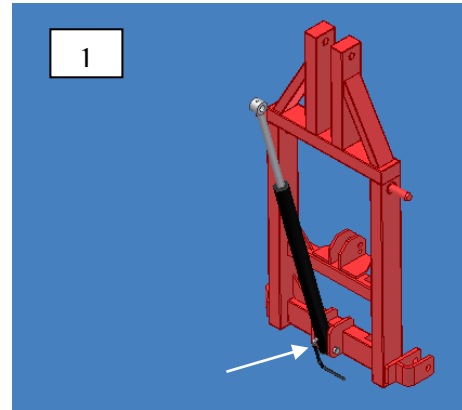
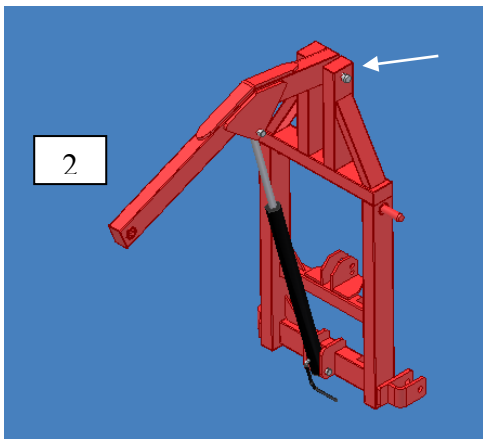
	RS 280
Lift Height	2.8m overall
Lift Capacity	1000kg, excluding attachments
Weight	300kg
Tractor Linkage	Cat II
Hydraulic Top Link	Optional and Recommended



ASSEMBLY

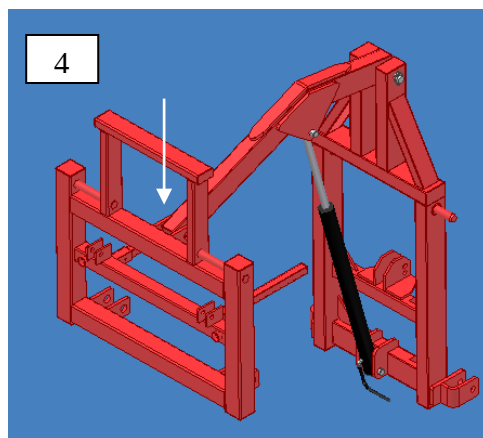
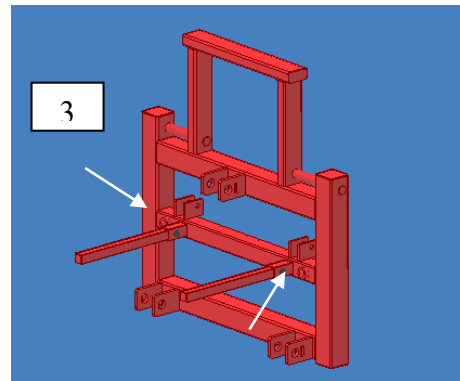
Your machine will most likely be supplied partially disassembled. Use the following assembly instructions and drawings to help assemble the Reese Multi-Stacker correctly. There are several considerations that must be followed as listed below:

1. Attach ram onto the back from first (using the two narrow washers provided) ensuring the hose **coupling is facing away** from the frame and it is **orientated correctly**. Ensure hose faces upwards and feeds through the frame rather than under the frame.



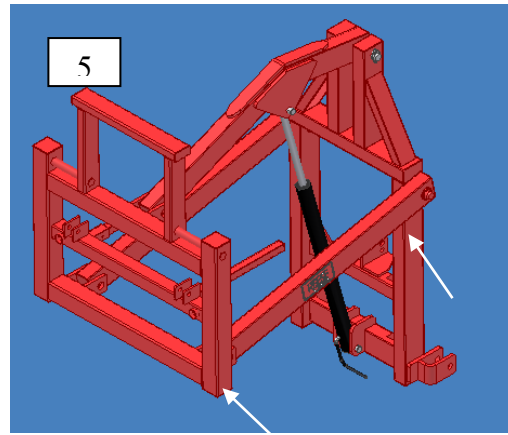
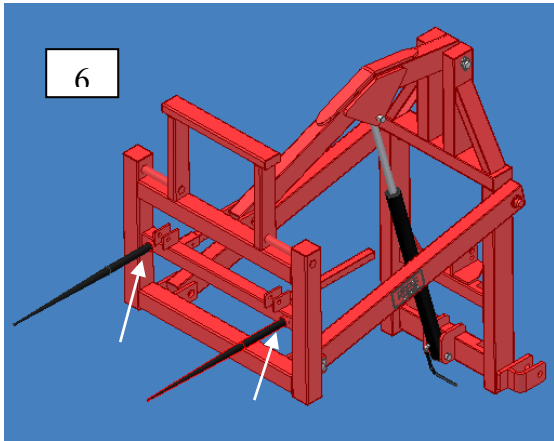
2. Attach the Upper Arm first to the back frame (**ensuring the 'elbow' is closer to the back frame than the front**) and then to the hydraulic ram using the two thick spacers provided.

3. Attach the two Horizontal Bars onto the Front Frame.



4. Attach the Front Frame onto the Upper Arm.

- Attach the two Lower (Stabiliser) Arms to both the front and back frames ensuring the Reese labels are facing outward.



- Insert and fasten the Bale Tines securely.

OPERATION

Hitching to the Tractor

- Hitch the Multi-Stacker to the tractor's 3-point linkage.
- Adjust the linkage arms as required to ensure the Multi-Stacker stands vertical. (It is recommended a hydraulic top link be used to ensure the stacker remains vertical during operation.)
- Connect hydraulic hose to tractor.

Bale Handling

- IMPORTANT:** Only spike bales when spike bales when; (1) the ram is fully contracted (horizontal bars touch the Rear Frame) or (2) when the Lower Arms are horizontal as shown in the figures below. If you spike bales in any other positions you risk damaging the hydraulic ram.

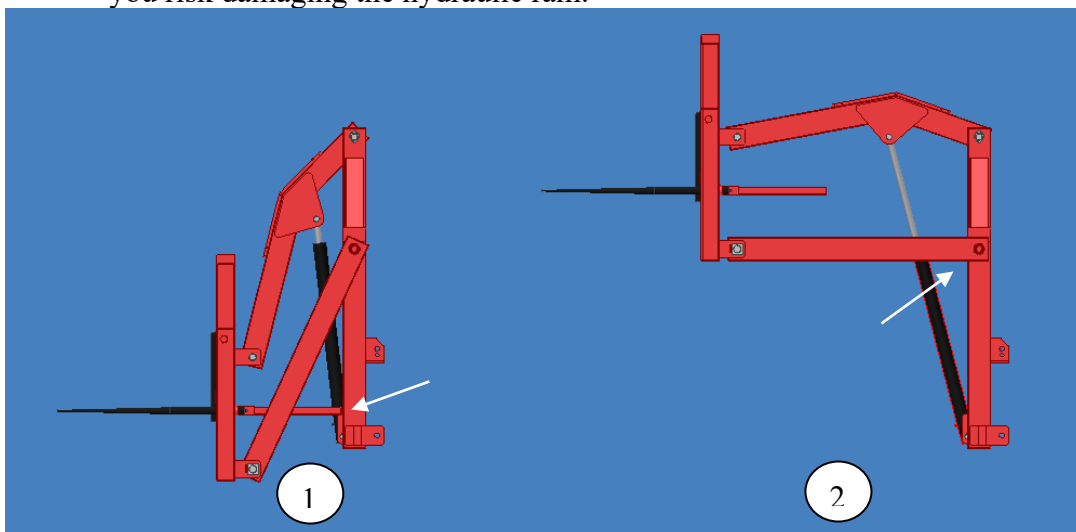


Figure 1: Only spike bales when the Reese Multi-Stacker is in one of the two positions shown.

2. Using the Reese RH2200 Bale Handlers

(You will need to purchase the Bale Handling Bracket Kit (Part # RS290))

- a. Remove the two tines from the Multi-Stacker.
- b. Weld the two brackets onto the back frame of the Bale Handler ensuring they are between 660-750mm apart as shown on Figure 2.
- c. Hook the Bale Handler onto the front frame of the Multi-Stacker ensuring the brackets fall between the attachment lugs.
- d. Insert Bent Pins as shown below.

NOTE: The RH2200 Bale Handler weighs 225kg therefore the maximum lift capacity is 1000kg.

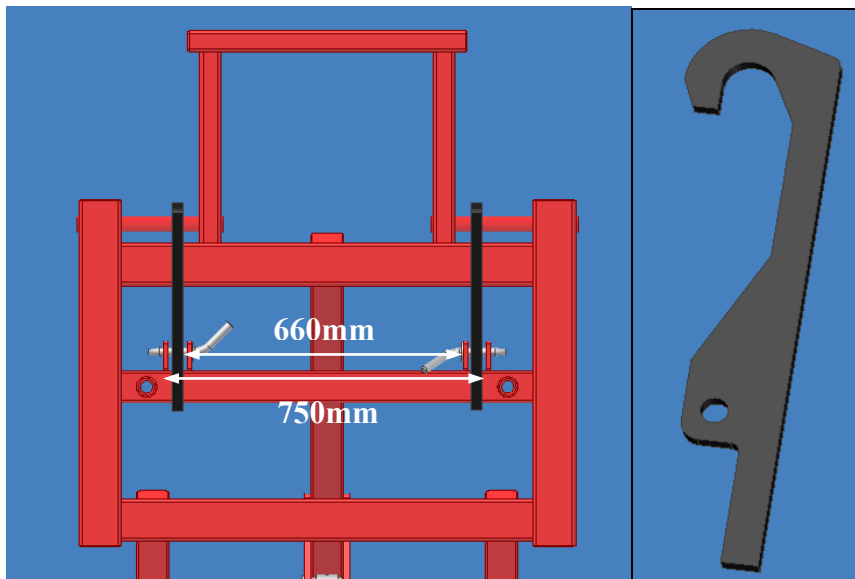


Figure 2: Ensure brackets are welded between 660-750mm apart on the back frame of the RH2200 Bale Handler as to fit between the lugs on the Multi-Stacker frame.

STORAGE AND MAINTENANCE

Parking

1. Find an area of FLAT ground to park the Multi-Stacker on.
2. Place two large planks of wood on the ground behind the tractor.
3. Lower the back frame onto the wooden supports until the weight is removed from the lower linkage arms.
4. Drop the front frame down until it rests on the wood supports by reducing the hydraulic ram.
5. Disconnect the hydraulic hose and the three linkage points.

Greasing

The hydraulic ram should be greased top and bottom daily when in use. The bearings in the arm pivots are self-lubricating.